

Polias Sincronizadoras

HTD 14M

Passo 14 mm (Padronizada)

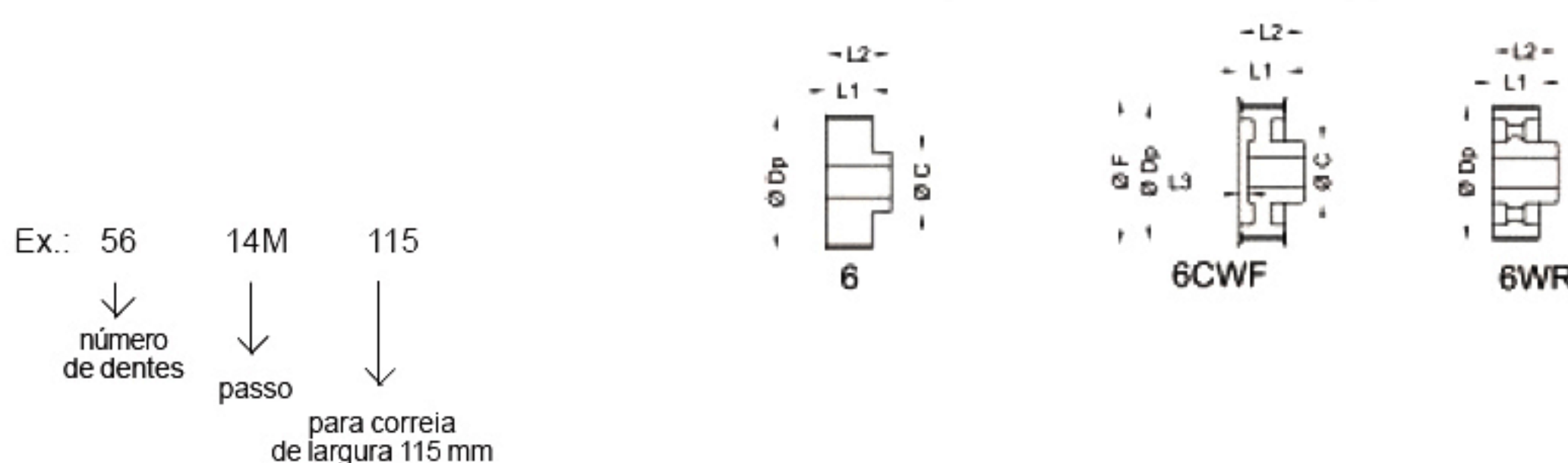
Dentes Arredondados

Para correias de largura 85 mm (14M-85)

Código	Número de Dentes	Tipo Polia	Diâm. Prim.	Diâm. sobre Flanges	Ø P Furo Mín.	Ø P Furo Máx.	Ø C Cubo	L1	L2	L3	Material	Peso aprox. kg
30-14M	30	6CF	133,69	146	20	60	100	102	115	20	GG	7,0
32-14M	32	6CF	142,60	155	20	60	100	102	115	20	GG	9,0
34-14M	34	6CF	151,51	164	20	65	100	102	115	20	GG	10,0
36-14M	36	6CF	160,43	173	20	65	100	102	115	20	GG	11,0
38-14M	38	6CF	169,34	182	25	70	110	102	115	20	GG	13,0
40-14M	40	6CF	178,25	191	25	70	110	102	115	20	GG	14,0
44-14M	44	6CF	196,08	209	30	75	120	102	115	20	GG	17,0
48-14M	48	6CF	213,90	227	30	75	120	102	115	20	GG	18,0
56-14M	56	6CF	249,55	263	30	75	140	102	115	20	GG	19,0
* 64-14M	64	6CWF	285,21	298	40	80	160	102	115	25	GG	22,0
* 72-14M	72	6CWF	320,86	334	40	80	160	102	115	25	GG	23,0
* 80-14M	80	6CWF	356,51	370	40	85	160	102	115	25	GG	27,0
* 90-14M	90	6WR	401,07	-	40	85	170	102	115	-	GG	30,0
* 112-14M	112	6WR	499,11	-	40	85	170	102	115	-	GG	39,0
* 144-14M	144	6WR	641,71	-	45	95	180	102	120	-	GG	58,0
* 168-14M	168	6WR	748,66	-	45	95	180	102	120	-	GG	66,0
* 192-14M	192	6WR	855,62	-	50	100	180	102	120	-	GG	83,0
* 216-14M	216	6WR	962,57	-	50	100	240	102	120	-	GG	93,0

Para correias de largura 115 mm (14M-115)

Código	Número de Dentes	Tipo	Diâm. Prim.	Diâm. sobre Flanges	Ø P	Ø P Furo Máx.	Ø C	L1	L2	L3	Material	Peso aprox. kg
32-14M	32	6CF	142,60	155	20	60	100	133	145	25	GG	9,5
34-14M	34	6CF	151,51	164	25	70	100	133	145	25	GG	12,0
36-14M	36	6CF	160,43	173	25	70	100	133	145	25	GG	13,0
38-14M	38	6CF	169,34	182	30	75	110	133	145	25	GG	15,0
40-14M	40	6CF	178,25	191	30	80	110	133	145	25	GG	17,0
44-14M	44	6CF	196,08	209	30	80	120	133	145	25	GG	19,0
48-14M	48	6CF	213,90	227	30	80	120	133	145	25	GG	24,0
* 56-14M	56	6CWF	249,55	263	30	80	150	133	145	25	GG	26,0
* 64-14M	64	6CWF	285,21	298	30	85	160	133	145	30	GG	27,0
* 72-14M	72	6CWF	320,86	334	30	85	160	133	145	30	GG	32,0
* 80-14M	80	6CWF	356,51	370	40	90	180	133	145	30	GG	35,0
* 90-14M	90	6CWR	405,07	-	40	90	215	133	145	30	GG	38,0
* 112-14M	112	6CWR	499,11	-	40	90	215	133	145	30	GG	52,0
* 144-14M	144	6CWR	641,71	-	50	100	240	133	145	35	GG	74,0
* 168-14M	168	6CWR	748,66	-	50	110	240	133	145	35	GG	90,0
* 192-14M	192	6CWR	855,62	-	60	120	240	133	145	40	GG	103,0
* 216-14M	216	6CWR	962,57	-	60	120	240	133	145	40	GG	129,0



Polias Sincronizadoras

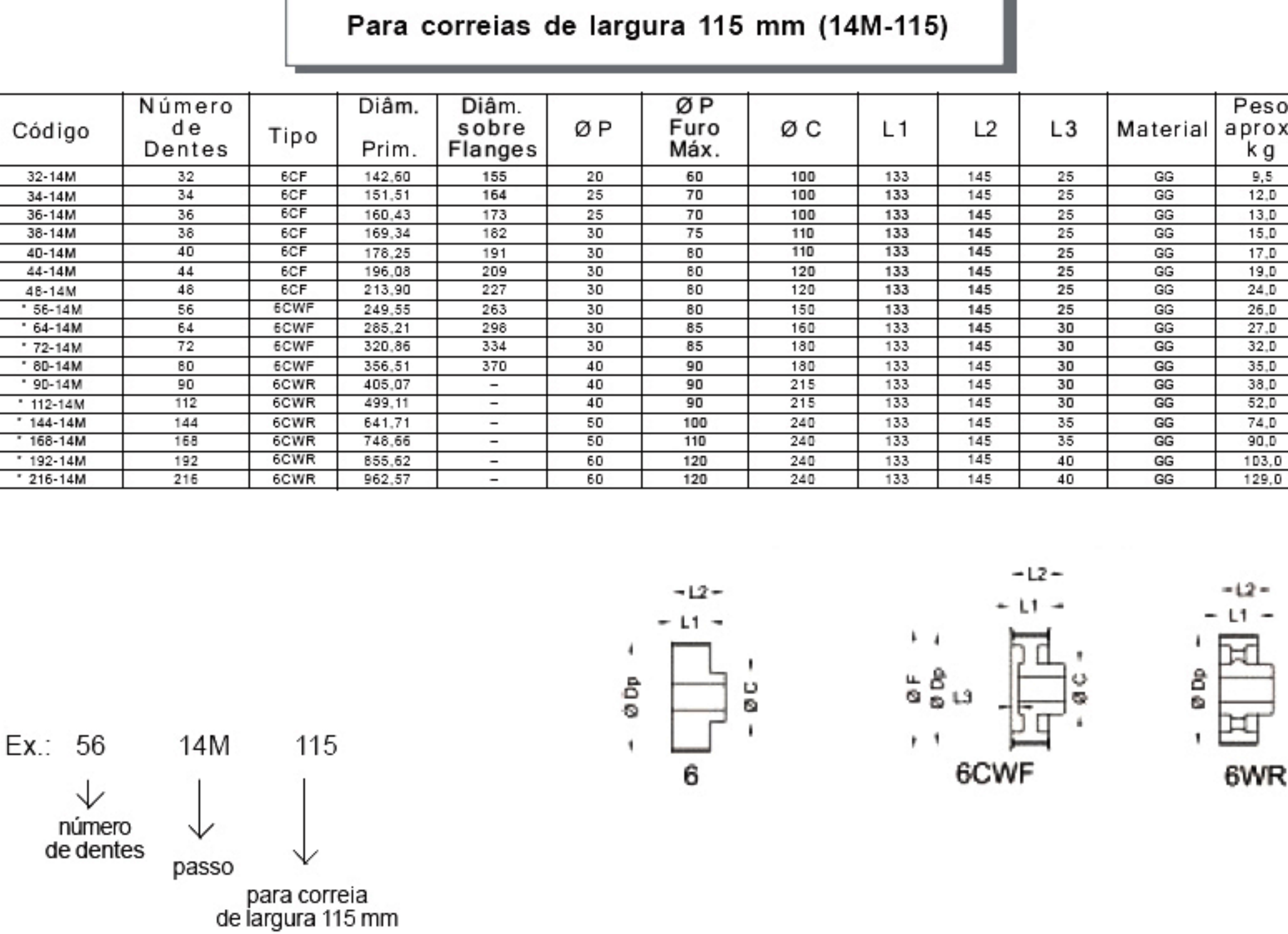
HTD 14M

Passo 14 mm (Padronizada)

Dentes Arredondados

Para correias de largura 85 mm (14M-85)

Código	Número de Dentes	Tipo Polia	Diâm. Prim.	Diâm. sobre Flanges	Ø P Furo Mín.	Ø P Furo Máx.	Ø C Cubo	L1	L2	L3	Material	Peso aprox. kg
30-14M	30	6CF	133,69	146	20	60	100	102	115	20	GG	7,0
32-14M	32	6CF	142,60	155	20	60	100	102	115	20	GG	9,0
34-14M	34	6CF	151,51	164	20	65	100	102	115	20	GG	10,0
36-14M	36	6CF	160,43	173	20	65	100	102	115	20	GG	11,0
38-14M	38	6CF	169,34	182	25	70	110	102	115	20	GG	13,0
40-14M	40	6CF	178,25	191	25	70	110	102	115	20	GG	14,0
44-14M	44	6CF	196,08	209	30	75	120	102	115	20	GG	17,0
48-14M	48	6CF	213,90	227	30	75	120	102	115	20	GG	18,0
56-14M	56	6CF	249,55	263	30	75	140	102	115	20	GG	19,0
* 64-14M	64	6CWF	285,21	298	40	80	160	102	115	25	GG	22,0
* 72-14M	72	6CWF	320,86	334	40	80	160	102	115	25	GG	23,0
* 80-14M	80	6CWF	356,51	370	40	85	160	102	115	25	GG	27,0
* 90-14M	90	6WR	401,07	-	40	85	170	102	115	-	GG	30,0
* 112-14M	112	6WR	499,11	-	40	85	170	102	115	-	GG	39,0
* 144-14M	144	6WR	641,71	-	45	95	180	102	120	-	GG	58,0
* 168-14M	168	6WR	748,66	-	45	95	180	102	120	-	GG	66,0
* 192-14M	192	6WR	855,62	-	50	100	180	102	120	-	GG	83,0
* 216-14M	216	6WR	962,57	-	50	100	240	102	120	-	GG	93,0



Polias Sincronizadoras

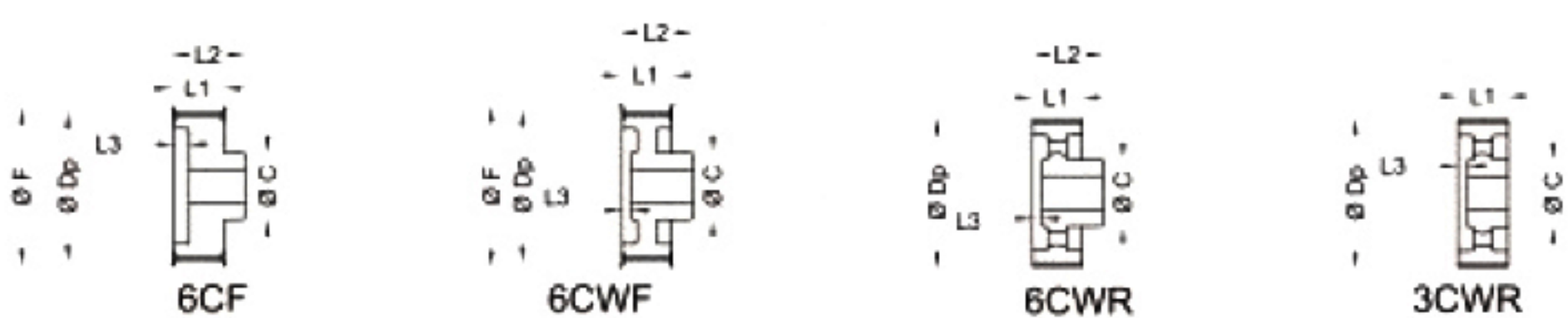
HTD 14M

Passo 14 mm (Padronizada)

Dentes Arredondados

Para correias de largura 170 mm (14M-170)

Código	Número de Dentes	Tipo Polia	Diâm. Prim.	Diâm. sobre Flanges	Ø P Furo Mín.	Ø P Furo Máx.	Ø C Cubo	L1	L2	L3	Material	Peso aprox. kg
* 38-14M	38	6CF	169,34	182	30	80	120	187	205	65	GG	19,0
* 40-14M	40	6CF	178,25	191	30	80	120	187	205	65	GG	21,0
* 44-14M	44	6CF	196,08	209	30	85	160	187	205	65	GG	22,0
* 48-14M	48	6CF	213,90	227	30	85	160	187	205	65	GG	30,0
* 56-14M	56	6CF	249,55	263	40	90	180	187	205	65	GG	37,0
* 64-14M	64	6CWF	285,21	298	40	90	180	187	205	65	GG	40,0
* 72-14M	72	6CWF	320,86	334	40	95	220	187	205	77	GG	42,0
* 80-14M	80	6CWF	356,51	370	40	95	220	187	205	77	GG	48,0
* 90-14M	90	6CWR	401,07	-	50	100	220	187	205	67	GG	57,0
* 112-14M	112	3CWR	499,11	-	50	100	260	187	-	67	GG	67,0
* 144-14M	144	3CWR	641,71	-	50	110	260	187	-	62	GG	97,0
* 168-14M	168	3CWR	748,66	-	60	115	260	187	-	62	GG	116,0
* 192-14M	192	3CWR	855,62	-	60	120	260	187	-	47	GG	143,0
* 216-14M	216	3CWR	962,57	-	65	130	260	187	-	37	GG	165,0



LEGENDA

6CF = com flange maciça rebaixada
 6CWF = com flange aliviada e rebaixada
 6CWR = sem flange vazada rebaixada
 3CWR = sem flange vazada rebaixada s/ pescoço
 L1 = largura sem cubo
 L2 = largura total com cubo
 L3 = rebaixo